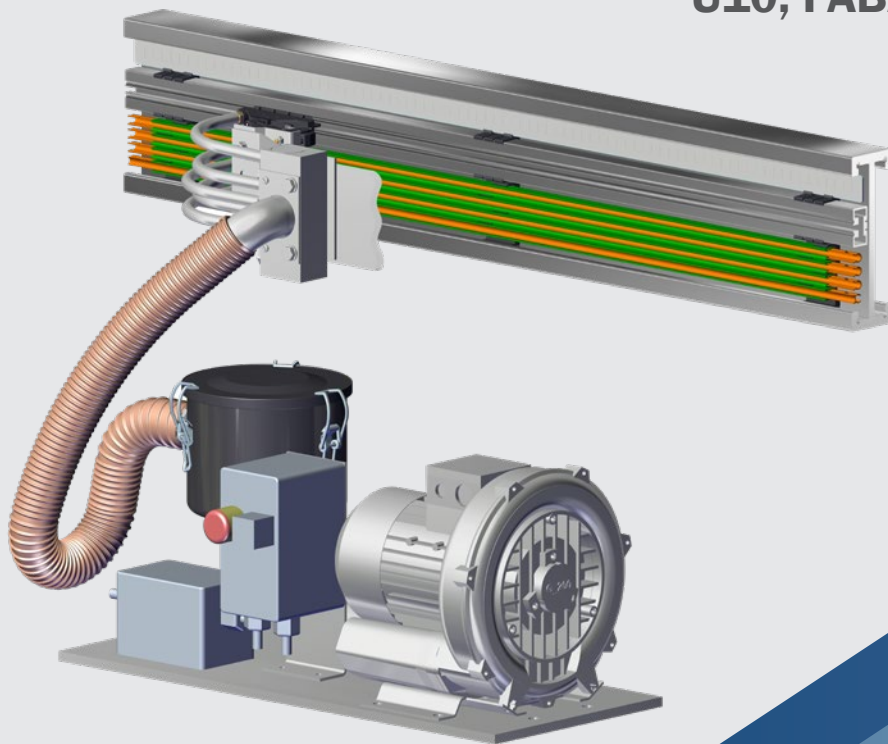




**CONDUCTOR SYSTEM
CLEANING DEVICE RHG
U10, FABA 100 AND SMGM**



CONDUCTOR RAIL CLEANING DEVICE RHG

The cleaning device Model RHG cleans conductor rails with a conductor spacing of 14 mm (U10) and conductor rails with a conductor spacing of 15 mm (FABA 100) automatically and preventive from dust deposits. The cleaning device consists of an exhauster with filter housing and a suction hose (2,5 m). The suction head (U10) or the suction nozzle (FABA 100) must be ordered separately depending on the number of poles.

The cleaning device is delivered with a motor protection switch. Optionally it is equipped with a main power supply or 24 V control supply (for connection to the vehicle control). It is installed at the monorail vehicle on site. The suction head for U10 is equipped with cleaning elements instead of carbon brushes that absorb the dirt directly in the conductor rail. The cleaning elements are made of carbon that can electrically bridge isolating sections.

For systems in which isolating sections must not be bridged, fully insulated cleaning elements are available on request. Please consider the shorter durability.

The compact conductor rail cleaners for U10 are available in the same number of poles as the compact current collectors. They differ from the current collectors by means of a cleaning element, which is installed in place of carbon brushes. They are installed as current collectors and clean the conductors with the integrated suction nozzle. For safety reasons Cleaning elements can not transmit power.

The suction head for FABA 100 is a suction nozzle which absorbs the dirt in a defined distance from the conductor rail over the complete number of poles.

SAFETY INSTRUCTIONS

- Caution when handling live parts!
Carbon dust is conductive and may cause short circuits!!
- On heavily soiled systems, the filter bag (inside the filter housing) needs to be replaced at short intervals!!
- Do not inhale carbon dust!
- Filter bags may not be shaken out but must be disposed!!

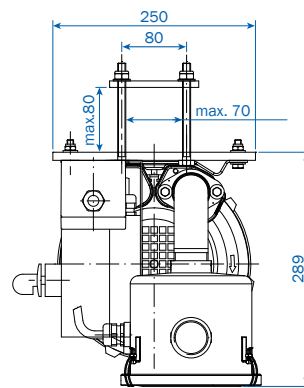
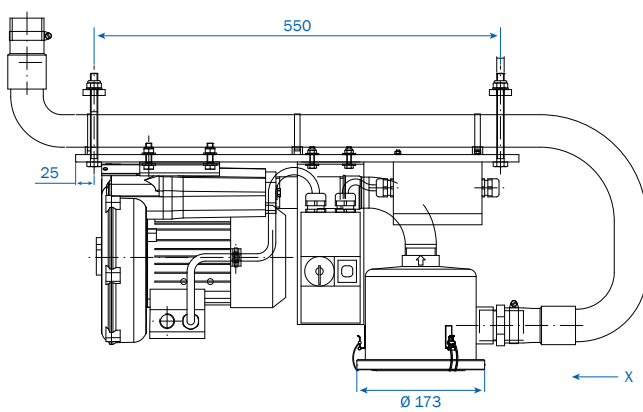
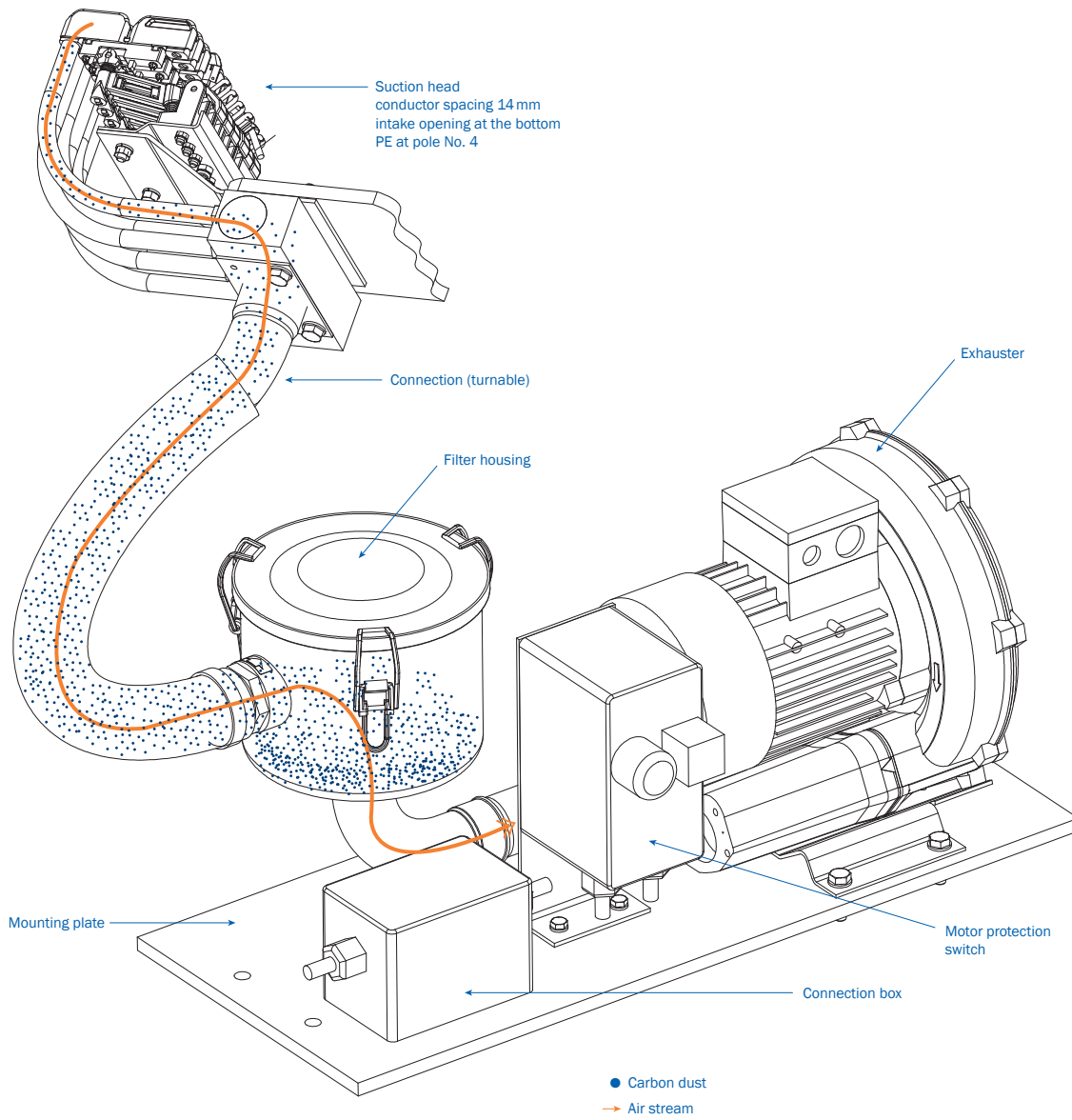
TECHNICAL DATA

Power	Power consumption	Starting current	Air throughput	Vacuum	Operating noise	Weight
0,4 - 0,5 kW 220 - 415 V 50 Hz 220 - 480 V 60 Hz	1,5 - 2,6 A	max. 6 A	1.600 L/min	1.100 mm/Ws	56 dB (A)	21 kg

TYPES

Type	Description	Order No.
RS-RHG-3/200-480	RHG for main power supply	143153
RS-RHG-3/200-480/24	RHG for control supply 24 V	143154

RHG WITH SUCTION HEAD FOR U10

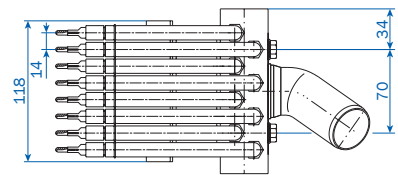
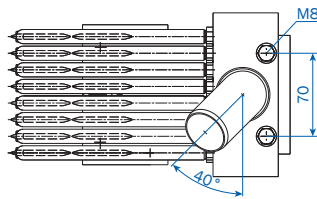
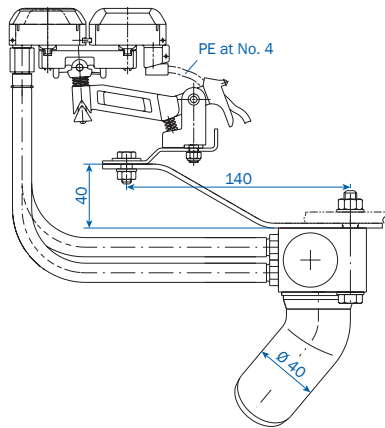


View X without suction hose

SUCTION HEAD FOR U10

Conductor spacing 14 mm

For systems with predominantly one-way traffic



Type	Number of poles	Order No.
RS-SKDS2/40-4/14HS/2S-4-W45	4	142808-2S
RS-SKDS2/40-5/14HS/2S-4-W45	5	143155-2S
RS-SKDS2/40-6/14HS/2S-4-W45	6	142546-2S
RS-SKDS2/40-7/14HS/2S-4-W45	7	142603-2S
RS-SKDS2/40-8/14HS/2S-4-W45	8	142539-2S
RS-SKDS2/40-10/14HS/2S-4-W45	10	142683-2S

Further models for different numbers of poles/conductors, conductor spacings and conductor systems upon enquiry.

SUCTION HEAD FOR PE-VP



Type	Number of poles	Order No.
RS-SKDS2/40-4/14VP/2S-4-W45	4	143744-2S
RS-SKDS2/40-5/14VP/2S-4-W45	5	144215-2S
RS-SKDS2/40-6/14VP/2S-4-W45	6	143496-2S
RS-SKDS2/40-7/14VP/2S-4-W45	7	10006796

SUCTION NOZZLE FOR FABA 100

Including bracket for mounting on Vahle RHG



Type	Number of poles	Order No.
RS-SDW-6-94-BW-RHG	6	2823067
RS-SDW-8-120-BW-RHG	8	2823190
RS-SDW-9-135-BW-RHG	9	2822631

COMPACT CONDUCTOR CLEANER

for conductor system U10

As is mandatory for overhead monorail systems pole no. 4 has a PE connection.



Type	Number of poles	Order No.
RS-ARDS2/40-4/14HS/2S-0,5-4/4	4	142807-2S
RS-ARDS2/40-5/14HS/2S-0,5-4/6	5	143156-2S
RS-ARDS2/40-6/14HS/2S-0,5-4/6	6	142549-2S
RS-ARDS2/40-7/14HS/2S-0,5-4/8	7	142604-2S
RS-ARDS2/40-8/14HS/2S-0,5-4/8	8	142540-2S
RS-ARDS2/40-9/14HS/2S-0,5-4/10	9	142540-2S
RS-ARDS2/40-10/14HS/2S-0,5-4/10	10	144214-2S

Further models for different numbers of poles/conductors, conductor spacings and conductor systems upon enquiry.

SPARE PARTS



Type	Description	Order No.
RS-ARDS2/40-PH-2S	without PE connecting cable	142541-2S
RS-ARDS2/40-PE-2S	with PE connecting cable	142542-2S



Type	Description	Order No.
RS-ARDSW2/40PH-2S-FN	without PE connecting cable	142872-2S
RS-ARDSW2/40PE-2S-FN-0,5	with PE connecting cable	142620-2S

ACCESSORIES

Type	Description	Order No.
RS-FPEW-RHG	HEPA filter cartridge	2824020
RS-SSL12/255	Spare hose (Ø12, 255 mm long)	142582
RS-SSL12/270	Spare hose (Ø12, 270 mm long)	142583
RS-SSL40/2500	Spare hose to blower (Ø40, 2,5 m long)	2822681
RS-VP-3/200-480	Exhauster	2822371
RS-FG-RHG	Filter housing	2822373

SUCTION HEAD FOR SMGM

The suction head for the SMGM system can be used together with the suction heads of the U10 be mounted on a common base plate. Loose dirt / dust deposits are removed from the SMGM system and cleaned preventively.



Type	Description	Order No.
KWK-M:I-0000-00/00G-SAUG-U10EHB-E/A15+V	Single suction head for EMS applications including fastening material	10025432
KWK-M:I-0000-00/00G-SAUG-U10Skid-E/A15+V	Single suction head for SKID applications including fastening material	10022431

ACCESSORIES

Type	Description	Order No.
RS-SSL12/225	Spare hose (Ø12, 255 mm long) for EMS and SKID	10025433
RS-SSL12/241	Spare hose (Ø12, 255 mm long) for EMS and SKID	10025434
Screw-in socket	Screw-in socket for suction hose connection for EMS	2504835

SUCTION HEAD

Type	Description	Order No.
RS-SKDS2/40MS-4/14VP/2S-4-W45	Suction head complete U10 4-pole incl. SMGM suction cup for EMS	145043
RS-SKDS2/40MS-5/14VP/2S-4-W45	Suction head complete U10 5-pole incl. SMGM suction cup for EMS	145044
RS-SKDS2/40MS-6/14VP/2S-4-W45	Suction head complete U10 6-pole incl. SMGM suction cup for EMS	145045

SPARE PARTS

Type	Description	Order No.
SMGM-GK-FR-02	Replacement skids (1 piece)	10014320
SMGM-GPMK+V	2 pol. base plate (SMGM single)	10012066
KW-M:I-0000-00/00G-Geh./Reinigung+U	Replacement housing head with suction openings	10025368



Paul Vahle GmbH & Co. KG

Westicker Str. 52
59174 Kamen
Germany

Tel.: +49 2307 704-0
Fax: +49 2307 704-444
info@vahle.de

www.vahle.com