

**NEW
PRODUCT
IN 2020**



vCOM VCS-SMG-SAFE

HIGHLIGHTS

- Based on established SMGM technology
- Safe certified product
- SLS (Safe Limited Speed) 2 axis
- STO (Safe Torque Off) 2 axis
- SPOS (Safe Position) 2 axis
- Transparent communication
- Configuration via functional block (no programming)
- IR remote control
- External display

TECHNICAL DATA SHEET

VCS-SMG-SAFE

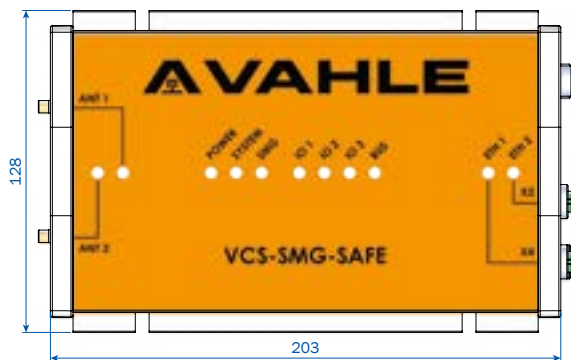
ELECTRICAL DATA

- Supply voltage 24VDC $\pm 10\%$
(reverse voltage protection)
- Power consumption max. 500 mA
< 12W

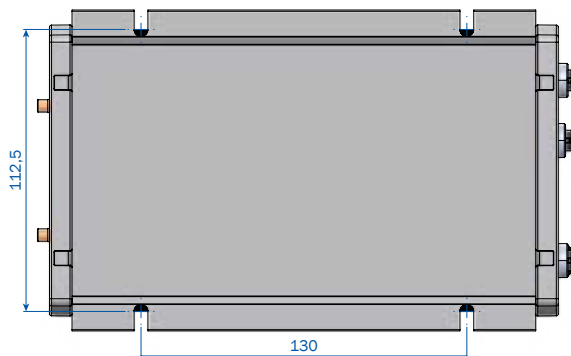
CONNECTOR

- X1: Power supply 24V and display
- ANT1: Coupler connection 1
- ANT2: Coupler connection 2
- X3: Ethernet port 1
- X4: Ethernet port 2
- X41: HTL encoder
- X20: Safe digital IN
- X40: SSI encoder

TOP VIEW



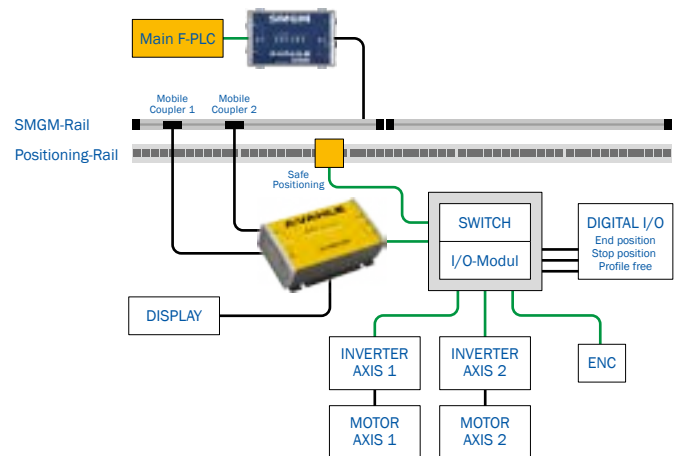
MOUNTING OVERVIEW



MECHANICAL DATA

- Dimensions 203x128x63.4 mm
- Mounting holes 130x112.5 mm
- Material Aluminium
- Protection rating IP54
- Installation M5 screw connection
- Operation condition 0 ... 50°C
- Environment Industrial

SYSTEM OVERVIEW



SIDE VIEW

