

**NEW  
PRODUCT**

## vPOWER U007 PICKUP

### HIGHLIGHTS

- Lightweight: Only 175 g
- 40 mm long
- Flexible cable outlet (top, front, middle)
- Protection rating IP67
- Plug and Play installation
- Acceleration up to 50 m/s<sup>2</sup>
- Internal strain relief
- Output voltage: 24 VDC (regulated)
- Peak power: 70W
- Short circuit proof

# TECHNICAL DATA SHEET

## U007 PICKUP

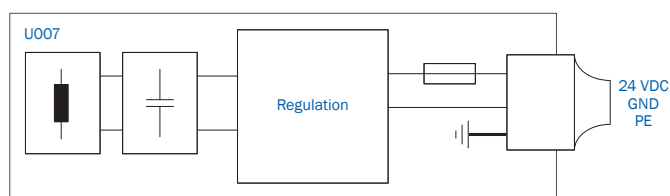
### ELECTRICAL DATA

• Peak power	70W
• Nominal power	30W
• Duty cycle	60%
• Track current	45A
• Track frequency	140kHz
• Track conductor spacing	61mm
• Output voltage	24VDC $\pm 10\%$
• Output current	3A
• Protection	Short circuit protection, Overcurrent limitation, Thermal shutdown

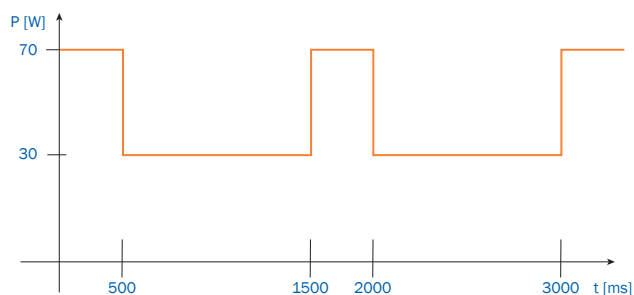
### MECHANICAL DATA

• Dimensions	48x40x60mm
• Mounting holes	2x M4, 38mm distance
• Weight	175g (incl. 1m cable 215g)
• Nominal airgap	4mm
• Vertical tolerance	$\pm 1$ mm
• Horizontal tolerance	$\pm 1$ mm
• Protection rating	IP67
• Connection cable	1m pre assembled
• Ambient temperature	5 to +40°C non-condensing
• Environment	Industrial/ clean room
• Cooling	Convection

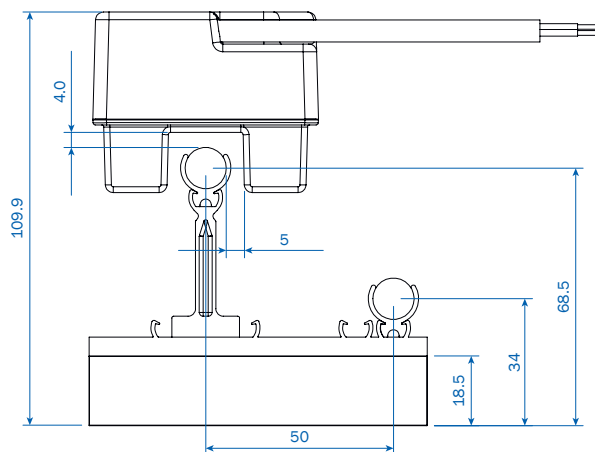
### SYSTEM OVERVIEW



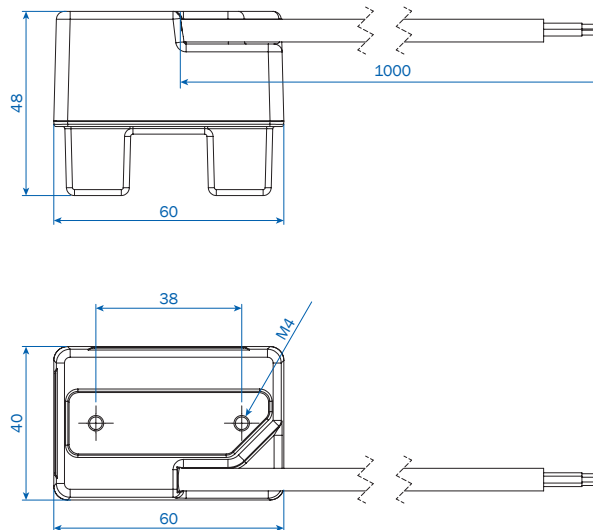
### OUTPUT POWER



### MOUNTING OVERVIEW



### SIDE VIEW/TOP VIEW



### ORDERING INFORMATION

U007 Pickup	10027518	Cable clip 20 mm	10024680
Spacer for compact hanger	10022382	Spacer for feeding left	10001430
Compact hanger	0915206/00	Spacer for feeding right	10001426
Spacer for cable clip	0915179/00	Feeding active conductor	0915295/00
Cable clip 2 m	0915298/00	Feeding passive conductor	0915296/00

