

# SUCTION HEAD FOR SMGM

## HIGHLIGHTS

- Reduction of impurities
- Reduction of wear (skids of mobile couplers)
- Less maintenance effort
- Easy integration
- All-in-one solution from VAHLE (conductor system + data transmission with RHG)
- Same basic body as for data transmission, therefore no adjustments necessary for mounting the suction head
- Plug & Play solution

## SMGM SUCTION HEAD

### TECHNICAL DATA

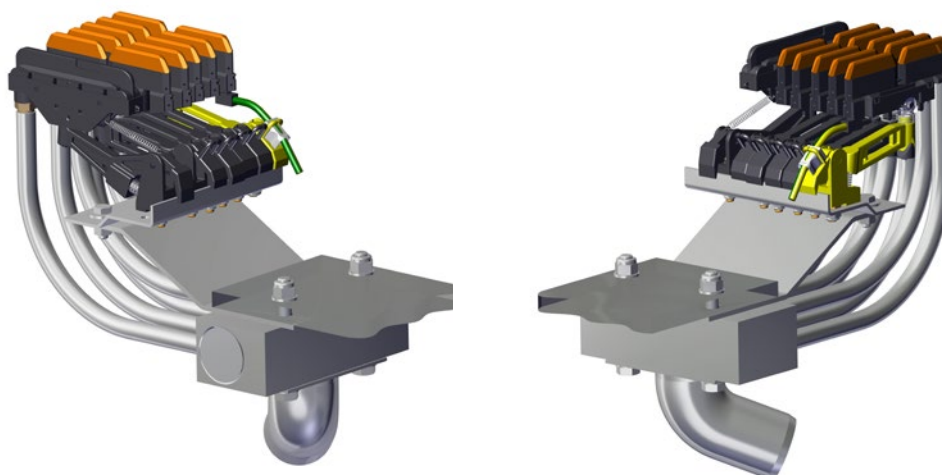
- Travel speed 180 m/min

### MECHANICAL DATA

- Middle working position 74.5 mm
- Horizontal tolerance  $\pm 15$  mm
- Vertical tolerance  $\pm 15$  mm
- Ambient temperature 0 to 50°C no condensation
- Environment Industry / indoor installations

### INSTALLATION OVERVIEW

Suction head complete U10 with SMGM



### ORDER OVERVIEW

Type	Description	Order No.
KWK-M:I-0000-00/00G-SAUG-U10EHB-E/A15+V	Single suction head for EMS applications incl. mounting material	10025432
KWK-M:I-0000-00/00G-SAUG-U10Skid-E/A15+V	Single suction head for SKID applications incl. mounting material	10022431

### SUCTION HEADS

Type	Description	Order No.
RS-SKDS2/40MS-4/14VP/2S-4-W45	Suction head complete U10 4-pole incl. SMGM suction cup for EMS	145043
RS-SKDS2/40MS-5/14VP/2S-4-W45	Suction head complete U10 5-pole incl. SMGM suction cup for EMS	145044
RS-SKDS2/40MS-6/14VP/2S-4-W45	Suction head complete U10 6-pole incl. SMGM suction cup for EMS	145045

### ACCESSOIRES

Type	Description	Order No.
RS-SSL12/225	Suction hose $\varnothing 12$ , 225mm long for EMS and SKID	10025433
RS-SSL12/241	Suction hose $\varnothing 12$ , 241mm long for EMS and SKID	10025434
Screwed socket for ARG (shortened)	Screwed socket for suction hose Connection for EMS	2504835